

CABLE 405 RF: HIROSE U.FL PLUG + SMA RIGHT ANGLE BULKHEAD JACK WITH O-RING RATED TO IP67/68 + MULTIPLE CABLE SIZES, 6GHz

SPECIFICATIONS :

- HIROSE U.FL PLUG, P/N: FOR ϕ 1.37MM CABLE: U.FL-LP-088, FOR ϕ 1.32MM CABLE: U.FL-LP-066.
- COAXIAL CABLE, SEE P/N OPTIONS FOR DETAIL.
- SMA RIGHT ANGLE BULKHEAD JACK WITH O-RING RATED TO IP67/68, GOLD FLASH, P/N: FOR ϕ 1.37MM CABLE: RFCT-SMA080-F37, FOR ϕ 1.32MM CABLE: RFCT-SMA120-F32..

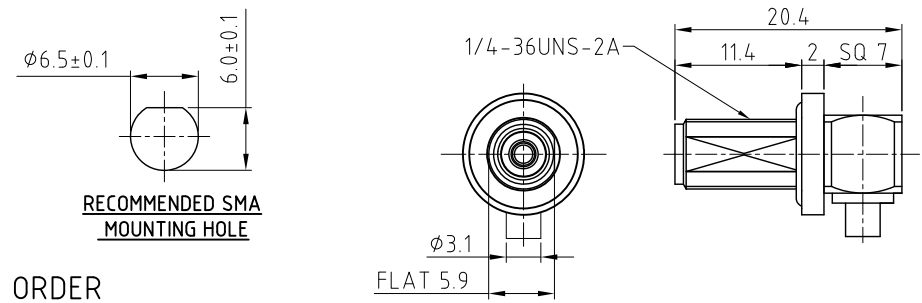
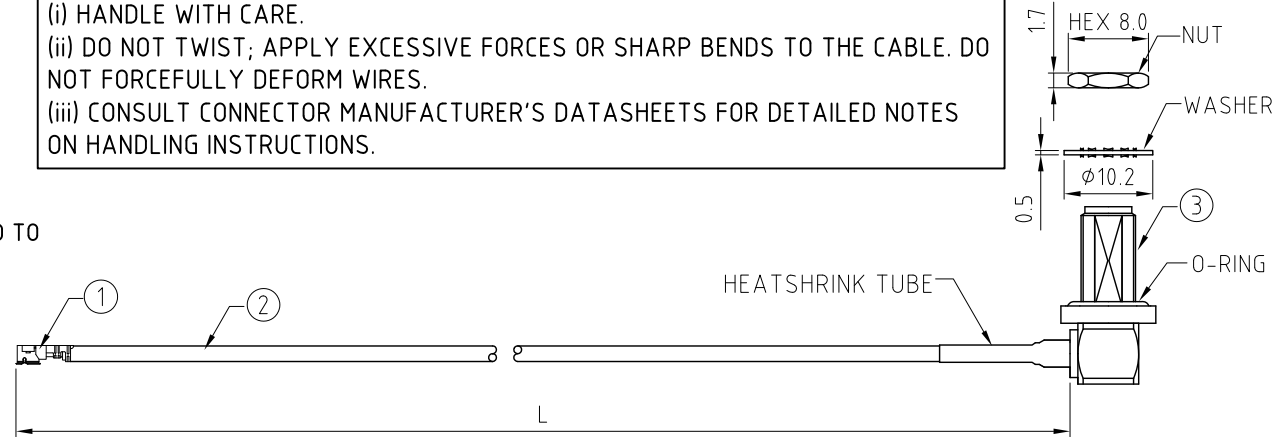
USAGE PRECAUTIONS: CABLES USING 'MICRO' COAX ARE DELICATE:
 (i) HANDLE WITH CARE.
 (ii) DO NOT TWIST; APPLY EXCESSIVE FORCES OR SHARP BENDS TO THE CABLE. DO NOT FORCEFULLY DEFORM WIRES.
 (iii) CONSULT CONNECTOR MANUFACTURER'S DATASHEETS FOR DETAILED NOTES ON HANDLING INSTRUCTIONS.

ENVIRONMENTAL:

- A. BULKHEAD MOUNTED CONNECTOR (RFCT-SMA080-F37/ RFCT-SMA120-F32) RATED TO THE FOLLOWING SPECIFICATION:
- IP6X - DUST TIGHT - NO PARTICLE INGRESS.
 - IPX7 WATERPROOF FOR 30 MINUTES UP TO 1 METER UNDERWATER.
 - IPX8 WATERPROOF FOR 4.8 HOURS AT 1 METER UNDERWATER.

NOTES:

- THE ORIENTATION OF CONNECTORS ON DRAWING IS FOR REFERENCE ONLY, IF THE ORDER IS LEFT BLANK THE CONNECTOR WILL NOT HAVE FIXED ORIENTATION.
- FIXED ORIENTATION IS SUGGESTED FOR CABLE LENGTH 25MM TO 100MM. PLEASE SPECIFY THE FIXED ORIENTATIONS FROM THE ORDER CODE (F1, F2, ETC)
- CONTACT GRADCONN IF THE ORIENTATION YOU REQUIRE IS NOT SHOWN.
- WORKING FREQUENCY RANGE: DC-6GHz.
- OPERATING TEMPERATURE: -40°C TO +85°C
- IMPEDANCE: 50 OHM.



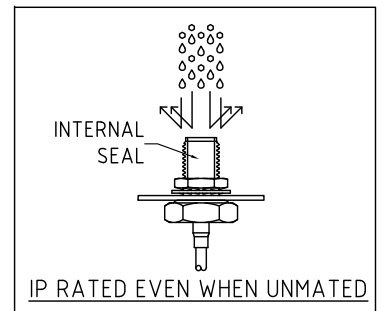
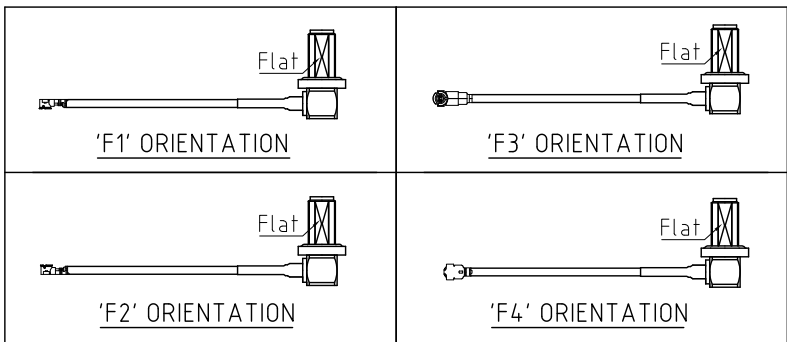
HOW TO ORDER
 CABLE 405 RF - XXX - XX - X - X

"L" LENGTH IN MM:
 eg: 100MM = 100
 (MIN. 025-MAX.400
 STANDARD = 100, 150, 200)
 Tolerance: 50-200mm: ±5mm.
 201-400mm: ±7mm.

CABLE SIZE OPTIONS:
 1 = ϕ 1.37MM CABLE, COLOR: BLACK
 2 = ϕ 1.32MM DUAL SHIELD CABLE, COLOR: GRAY

WASHER AND NUT OPTIONS:
 BLANK = SEPARATELY PACKED (STANDARD)
 A = ASSEMBLED WITH CONNECTOR

ORIENTATION OPTIONS:
 BLANK = DOES NOT HAVE A FIXED ORIENTATION
 F1 = OPPOSITE ORIENTATION (L=25-200MM)
 F2 = SAME ORIENTATION (L=25-200MM)
 F3 = LEFT CONNECTION SAME AS D-FLAT (L=25-200MM)
 F4 = LEFT CONNECTION OPPOSITE TO D-FLAT (L=25-200MM)
 (SEE NOTES 1, 2, 3 AND DIAGRAMS FOR MORE INFORMATION)



REV. DATE & DRN
 10 26/05/20 - CC RELEASE
 11 20/03/23 - ANY
 ADD CABLE SIZE OPTION 2.
 12 30/07/24 - CC
 ADD IP RATING VIEW

| | | |
|-------------------|----------------------|---|
| Scale: NTS | THIRD ANGLE | Unstated Tolerances: .X N/A .XX N/A .XXX N/A ANGLES N/A |
| Drawn: CC | | |
| App'd: XXX | Title CABLE ASSEMBLY | |
| Date: 31 MAR. '24 | Revision: 1.2 | Unit: mm |



IP Rated RF Products www.gradconn.com

| |
|---------------------|
| Type: Cable 405 RF |
| CABLE 405 RF |
| Drawing Number: |
| Sheet 1 of 1 |
| Drawing © E and O E |